



DeskRite 100

Set-up Guide



⚠ CAUTION

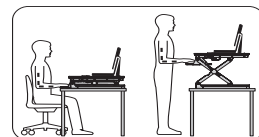
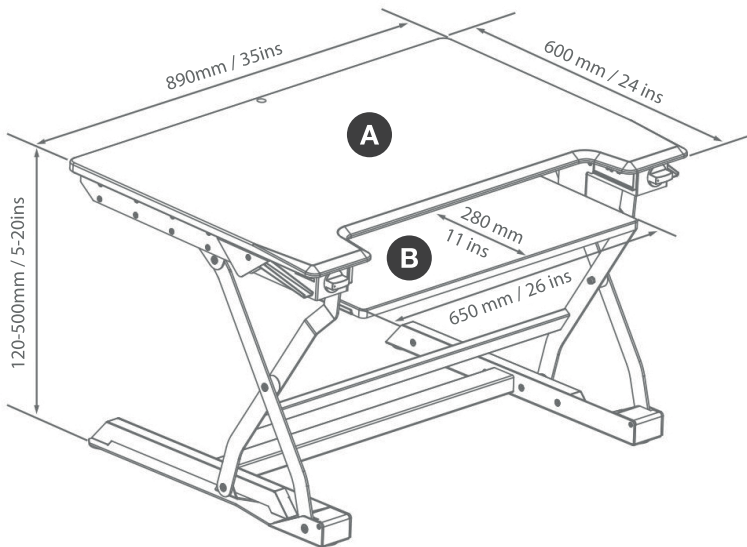
Please read all instructions carefully before using this product.
Retain this manual for future reference.
The specifications of this product may vary slightly from the
illustrations and are subject to change without notice.





Technical Data

Colours available	2 colours	Black/White
Product dimensions (flat) WxDxH	890 x 600 x 120 mm	35 x 24 x 4 ins
Lift range (top surface)	120-500 mm	5-20 ins
Height adjustment levels		up to 50
Minimum desktop/table surface required (WxD)	900 x 610 mm	36 x 24 ins
Keyboard tray range	100 mm	4 ins
Net weight	25 kg	55 lbs
Max top surface weight capacity A	16 kgs	35 lbs
Max keyboard surface weight capacity B	2kg	5lbs
Maximum weight capacity A + B	18 kg	40 lbs

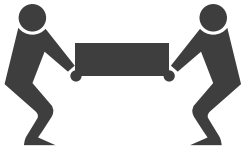




Installation



TEAM LIFT



Using two people, carefully remove the DeskRite 100 Platform from the packaging. Carefully place on a suitable size desk/table surface.

Make sure the DeskRite 100 feet do not overhang desk/table surface.

Once in place, carefully remove the retaining strap.

CAUTION

Do not exceed the maximum weight capacity (18kg /40lbs).



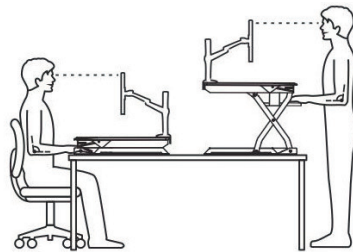
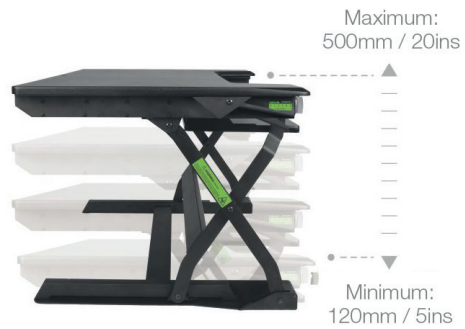


Operation

1

Height Adjustment

Grip the adjusting handles on each side of the DeskRite 100 and the workstation top surface together and **slowly** lift to adjust the surface to your desired height.



1. The top line of your screen(s) should be at eye level.
2. Your screen(s) should be approximately at arms length.
3. Your arms should be relaxed by your side and your forearms parallel to your keyboard.



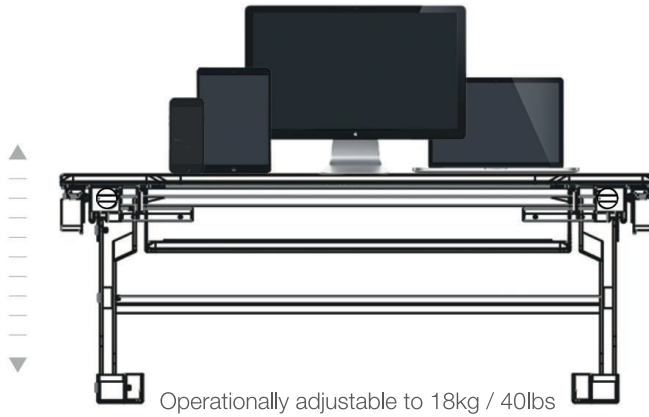


2

Devices

Carefully place your devices on top of the DeskRite 100 workstation platform. Make sure the devices **do not** overhang the back of the platform surface.

Do not exceed the maximum weight limit of 18kg/40lbs.



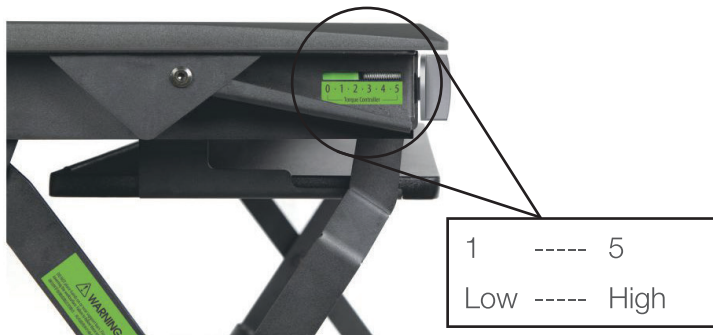
3

Torque Adjustment

Manually adjust the torque controller to a suitable tension. Adjust each side to the same level as indicated on the dial.

For higher total device weight - increase tension - turn clockwise ↻

For lower total device weight - decrease tension - turn anti-clockwise ↺





4

Keyboard Tray

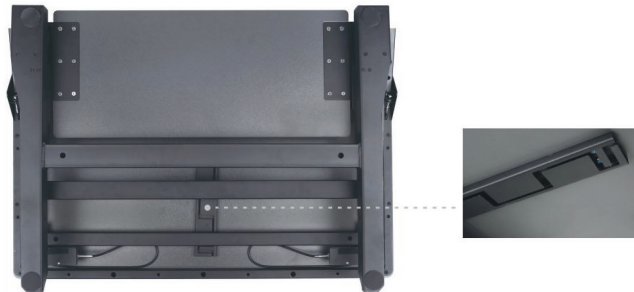
Pull out the keyboard tray that sits below the top surface.



5

Cable Management System

When the DeskRite 100 is raised up, the keyboard and mouse cables can be carefully inserted into the cable management system found on the underside surface. This helps avoid the cables potentially being trapped when raising and lowering the DeskRite 100.



⚠ CAUTION

Do not place hands or fingers near the supporting bars when raising and lowering.





Warning

- Ensure your desk/table surface is strong enough to support the DeskRite 100 and devices.
- Maximum weight capacity (18kg / 40lbs).
- Adjust the DeskRite 100 slowly.
- Make sure the DeskRite 100 surface is securely locked into position before use.
- Avoid leaning or putting excess pressure on the keyboard tray.
- Make sure the devices do not overhang the back of the platform surface.
- Before relocating the DeskRite 100, remove all devices and ensure that it is raised to its highest setting and securely locked into position.
- Always move the DeskRite 100 with two people.
- Keep DeskRite 100 upright.
- Do not place hands and fingers on or near support bars. Pinch points are created during lifting and lowering the worksurface.
- Make sure any device are securely contained in the cable management system to avoid trapping.
- **Failure to follow these instructions may result in serious personal injury.**

Limited warranty

The Deskrite 100 is guaranteed free of defects in material and workmanship for a period of 18 months from date of purchase. This warranty does not cover product abuse, improper operations, and/or misuse.





Other ergonomic office products available



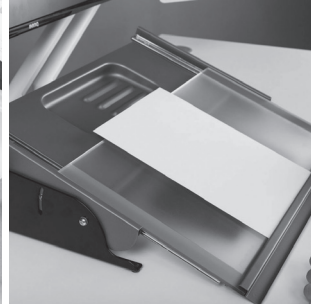
Penguin

Ambidextrous Vertical Mouse



Number Slide Keyboard

Compact keyboard with retractable number pad.



MultiRite

Document holder and writing slope



MoovRite

Rocking standing platform and footrest



DocuRite

Adjustable document holder



TriRite

Multi position footrest



For USA

Contact Posture Depot

info@posturedepot.com
(+001) 704-999-0809



For rest of the world

Contact Posturite

info@posturite.co.uk
(+44) 345 345 0010

www.posturite.co.uk

